

Rider ProFlex 18, 21

Spare parts

Ersatzteile

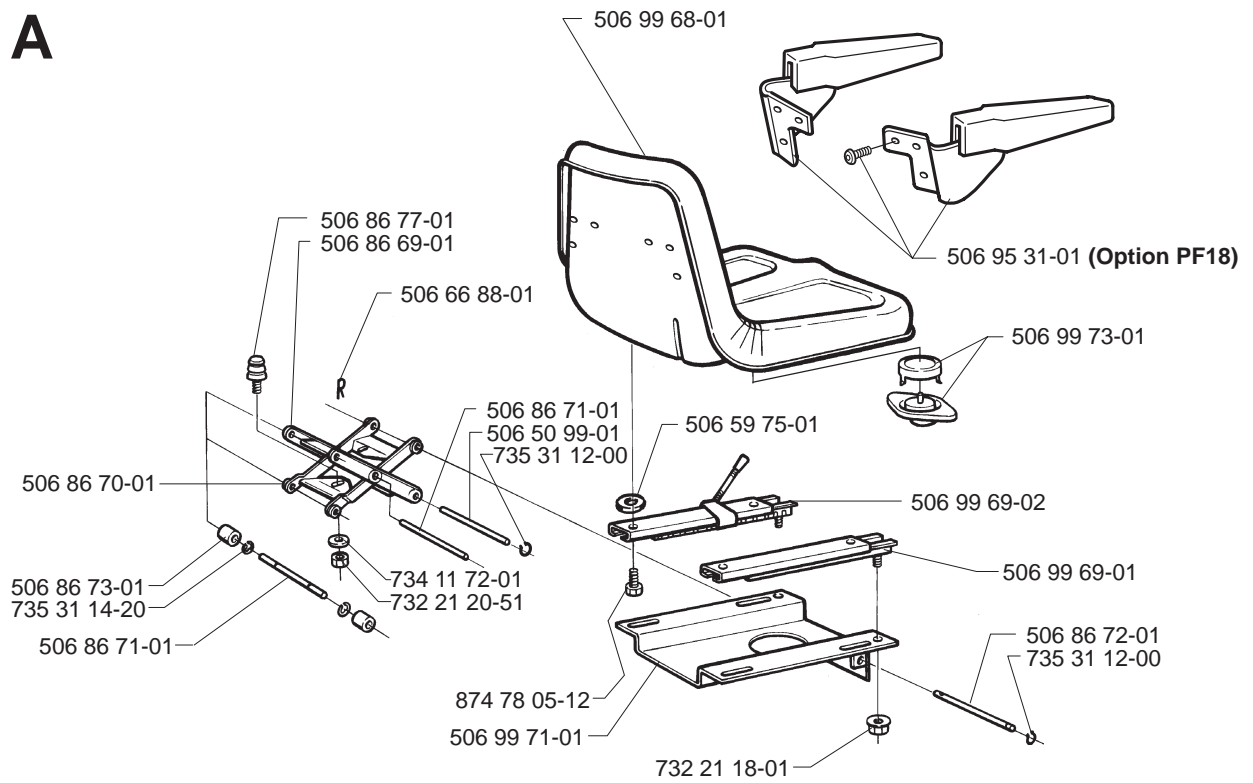
Pièces détachées

Reserve onderdelen

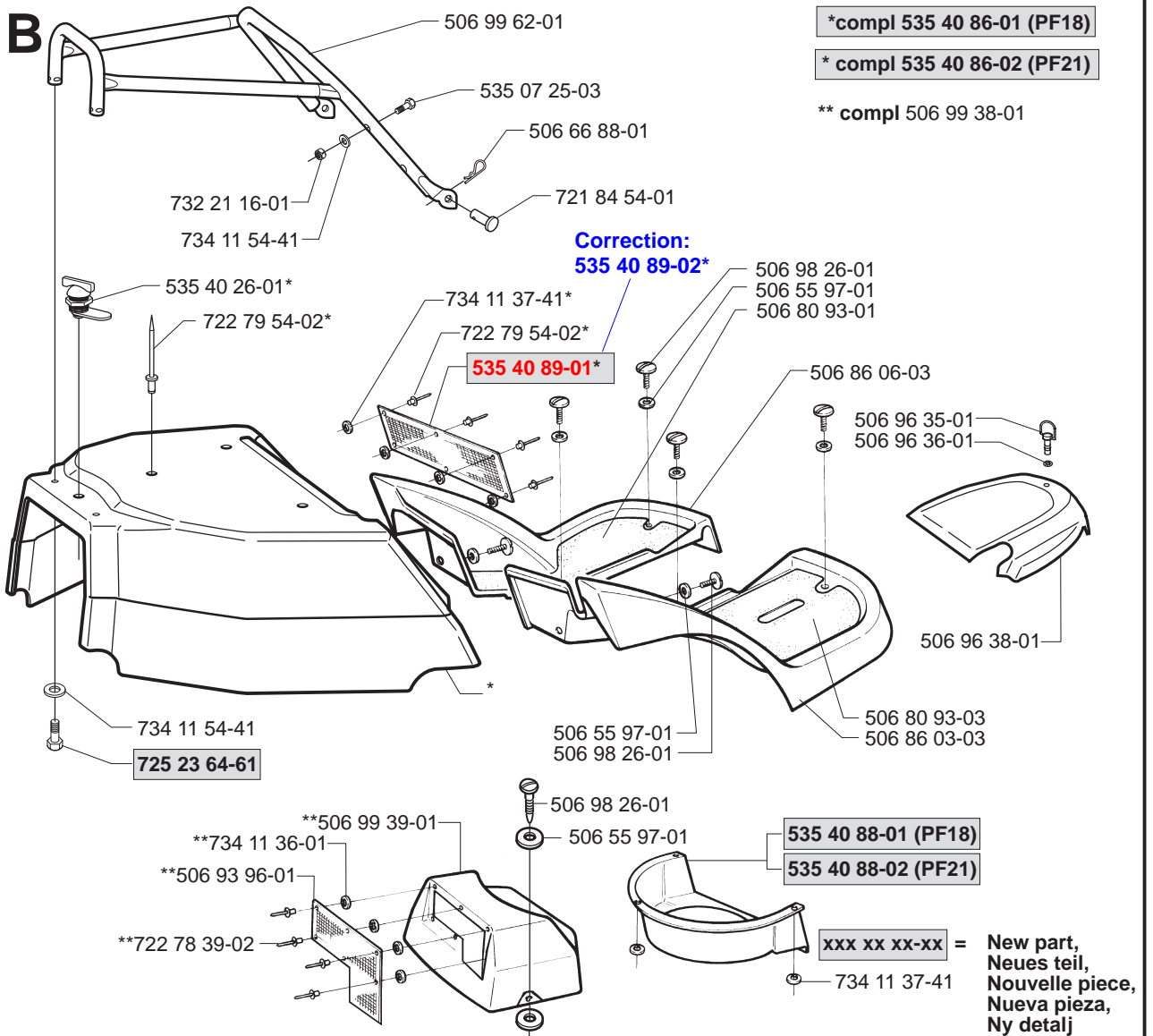
Repuestos

Reservdelar

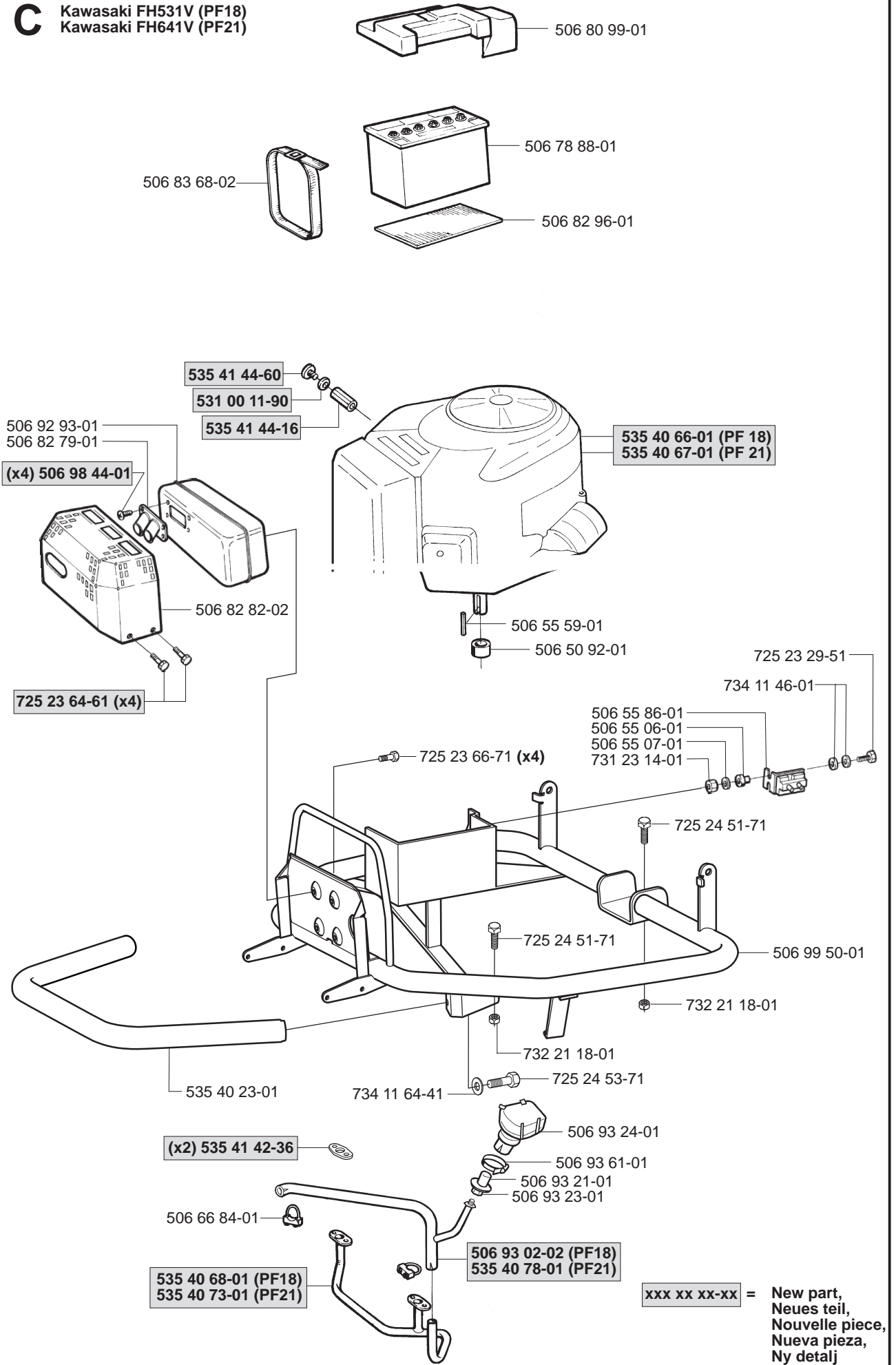
A



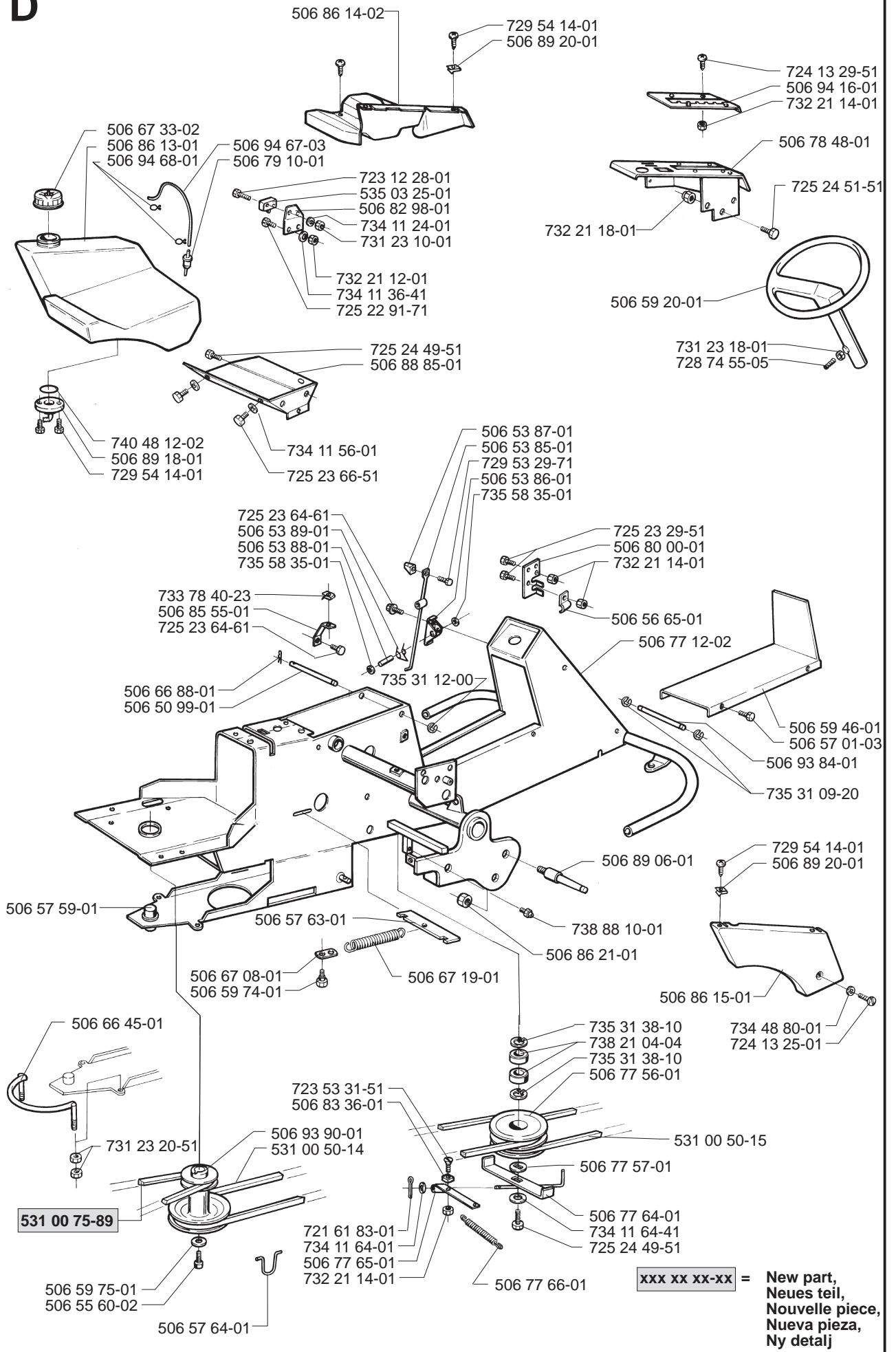
B



C Kawasaki FH531V (PF18)
Kawasaki FH641V (PF21)

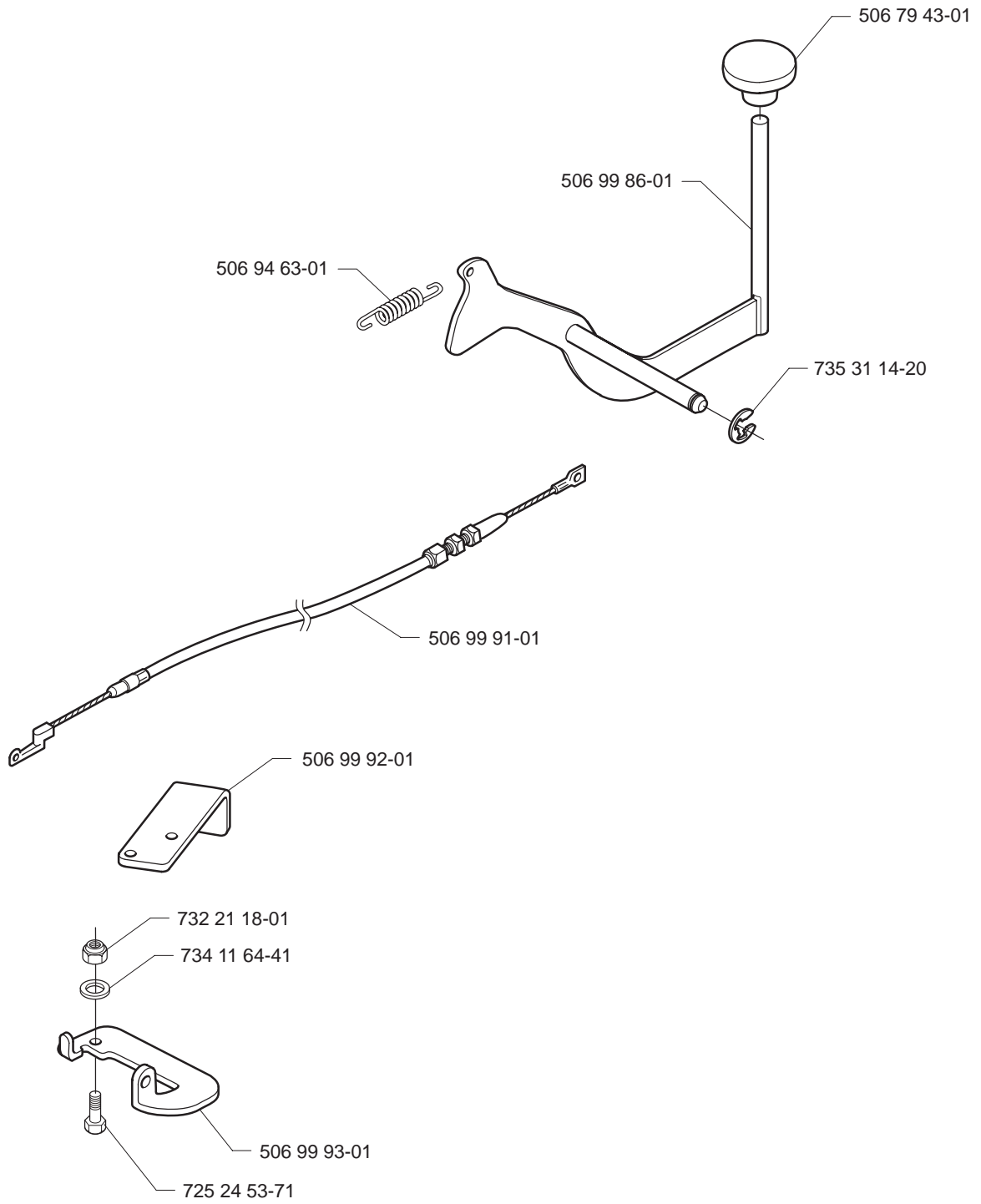


D

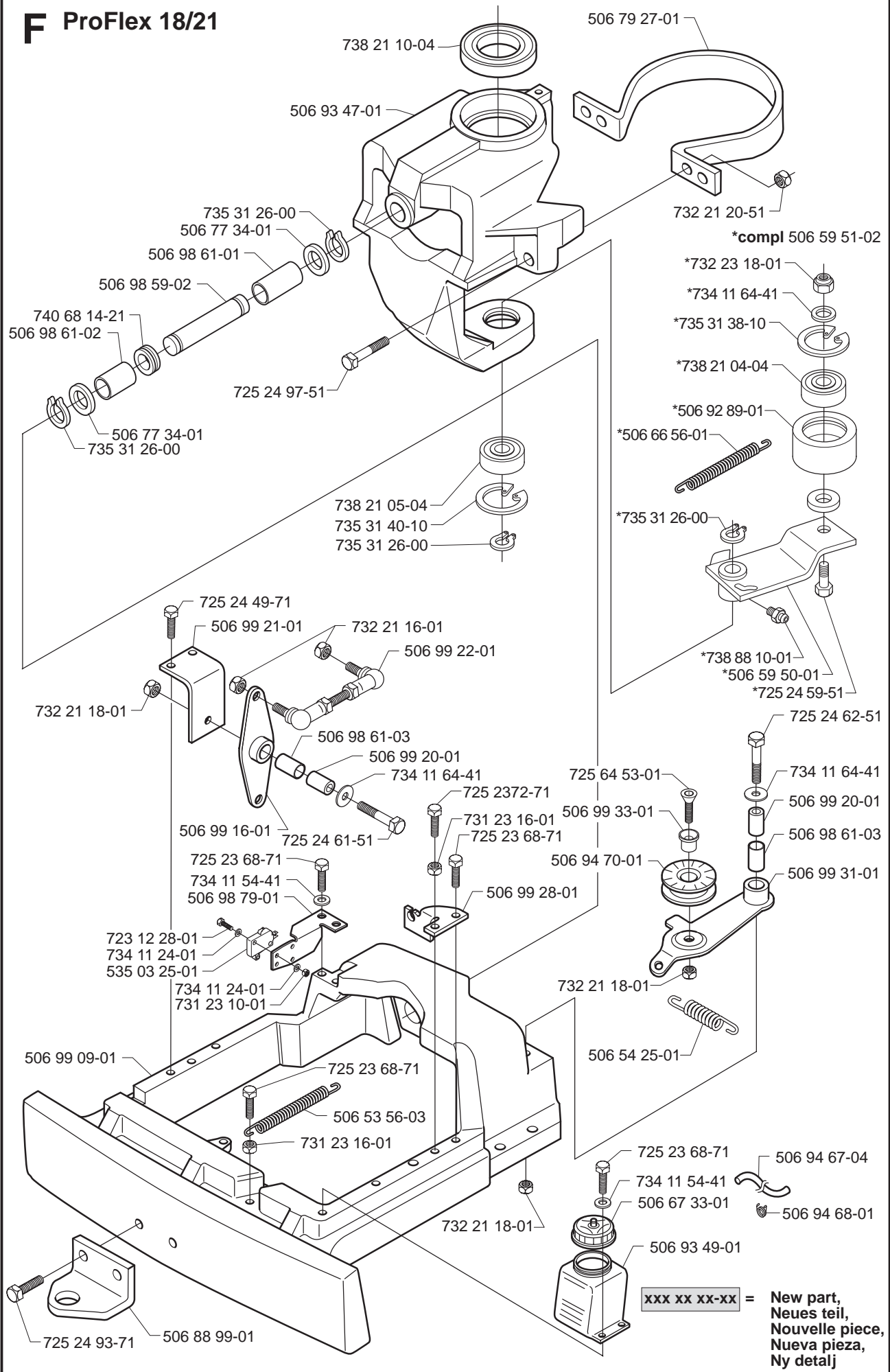


xxx xx xx-xx = New part,
Neues teil,
Nouvelle piece,
Nueva pieza,
Ny detalj

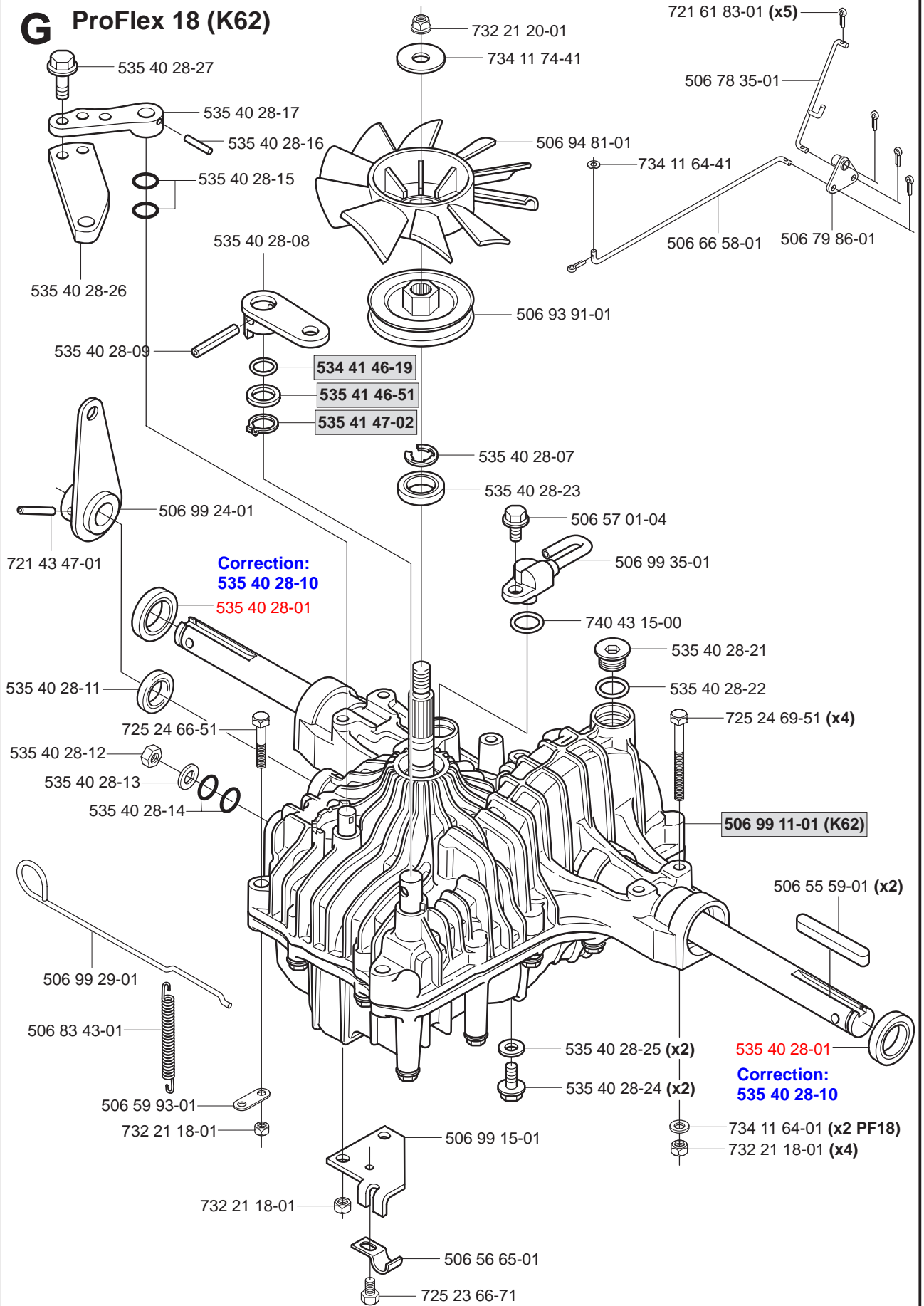
E ProFlex 21



F ProFlex 18/21



G ProFlex 18 (K62)

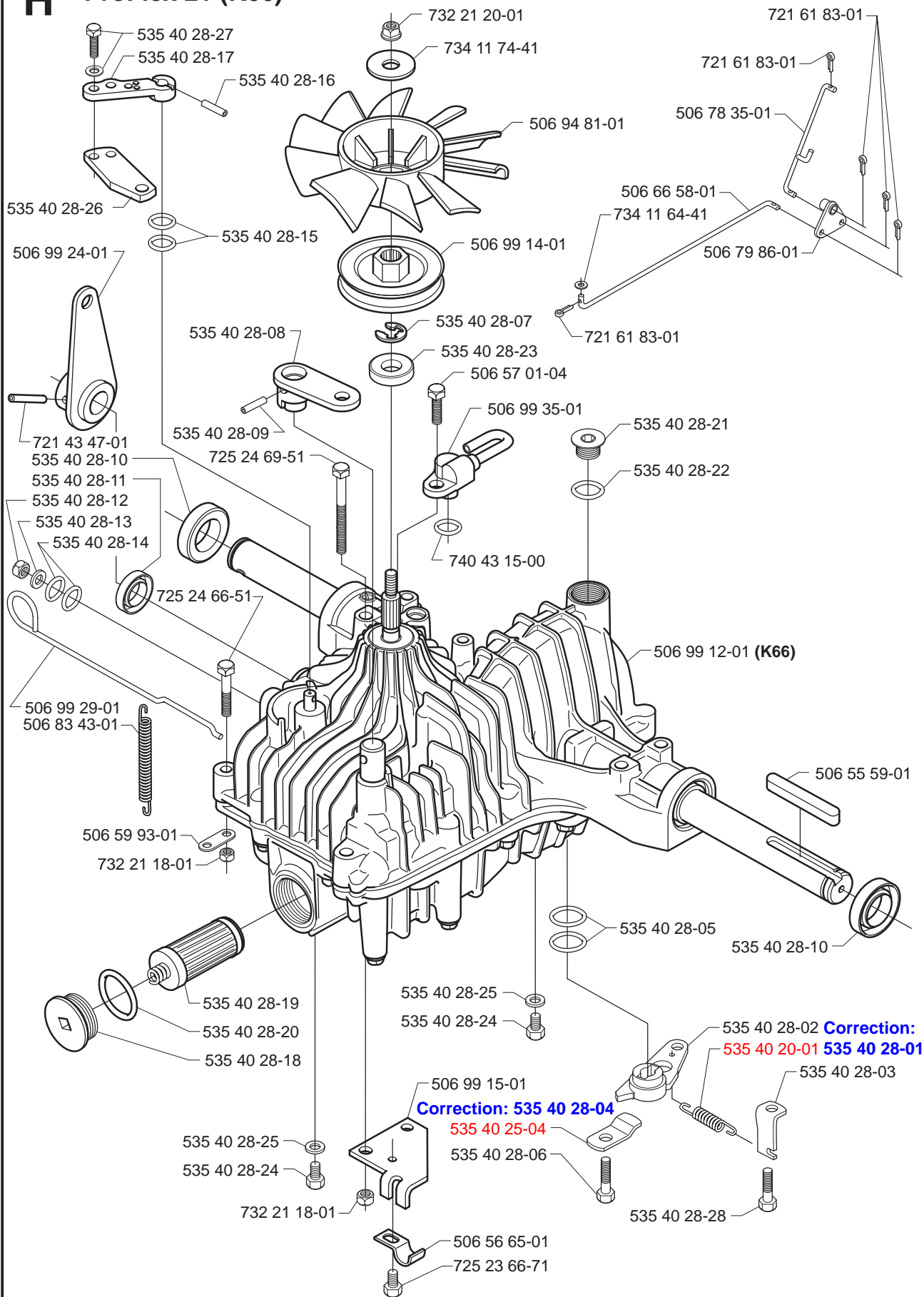


Correction:
535 40 28-10
535 40 28-01

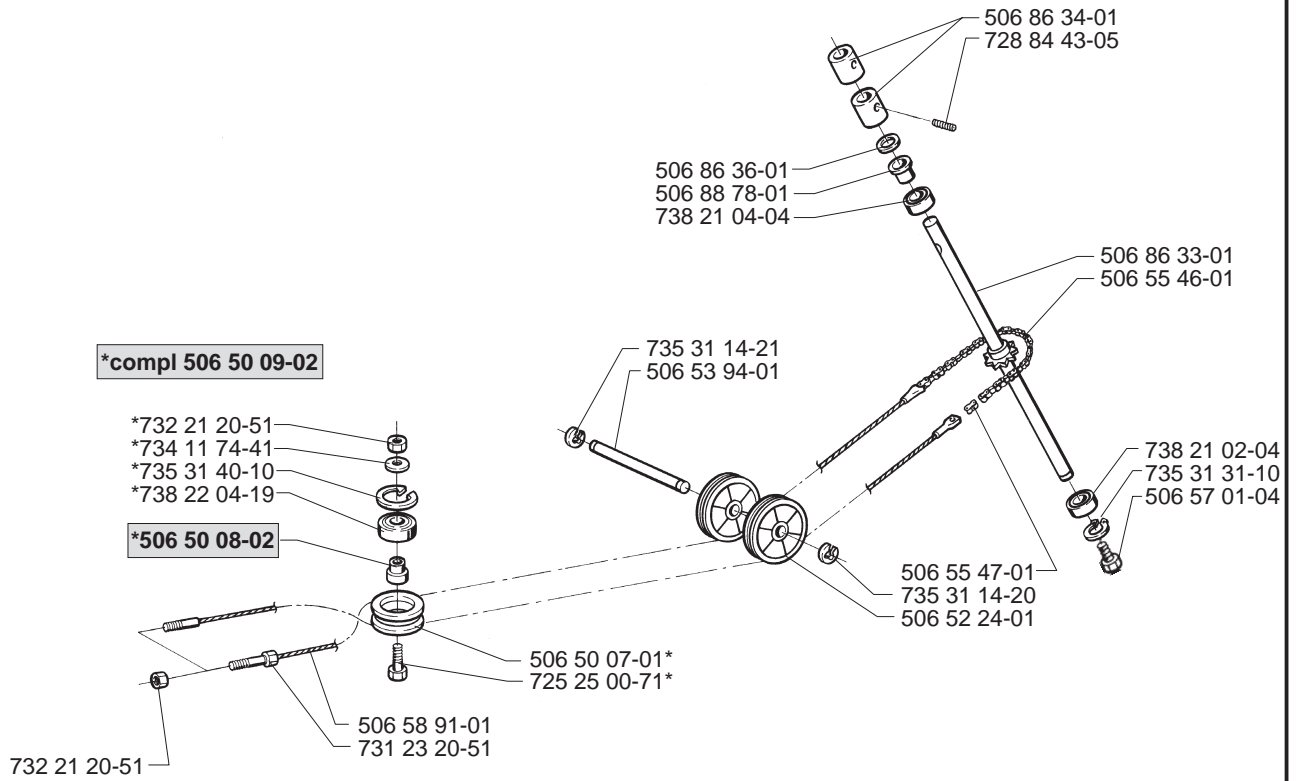
535 40 28-01
Correction:
535 40 28-10

**xxx xx xx-xx = New part,
Neues teil,
Nouvelle piece,
Nueva pieza,
Ny detalj**

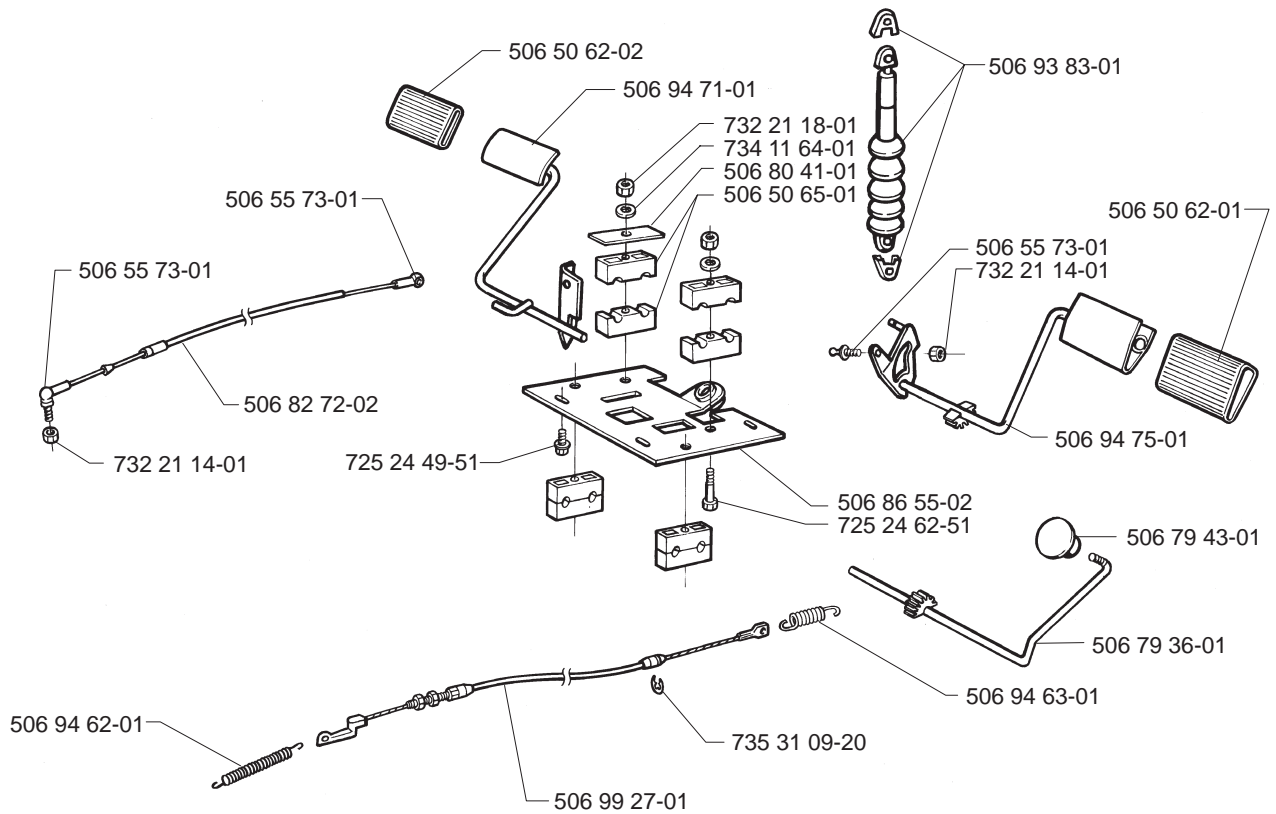
H ProFlex 21 (K66)



J

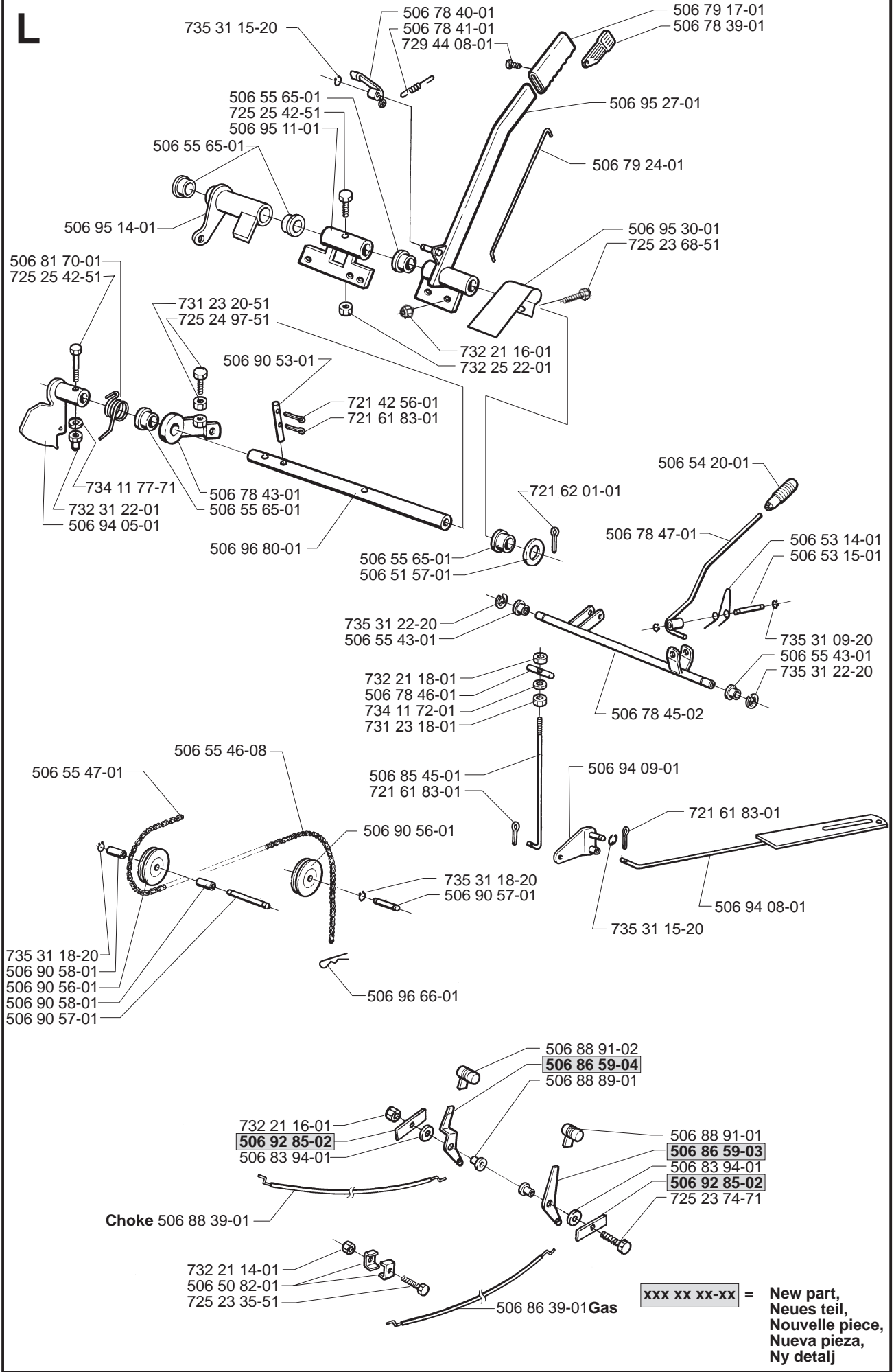


K



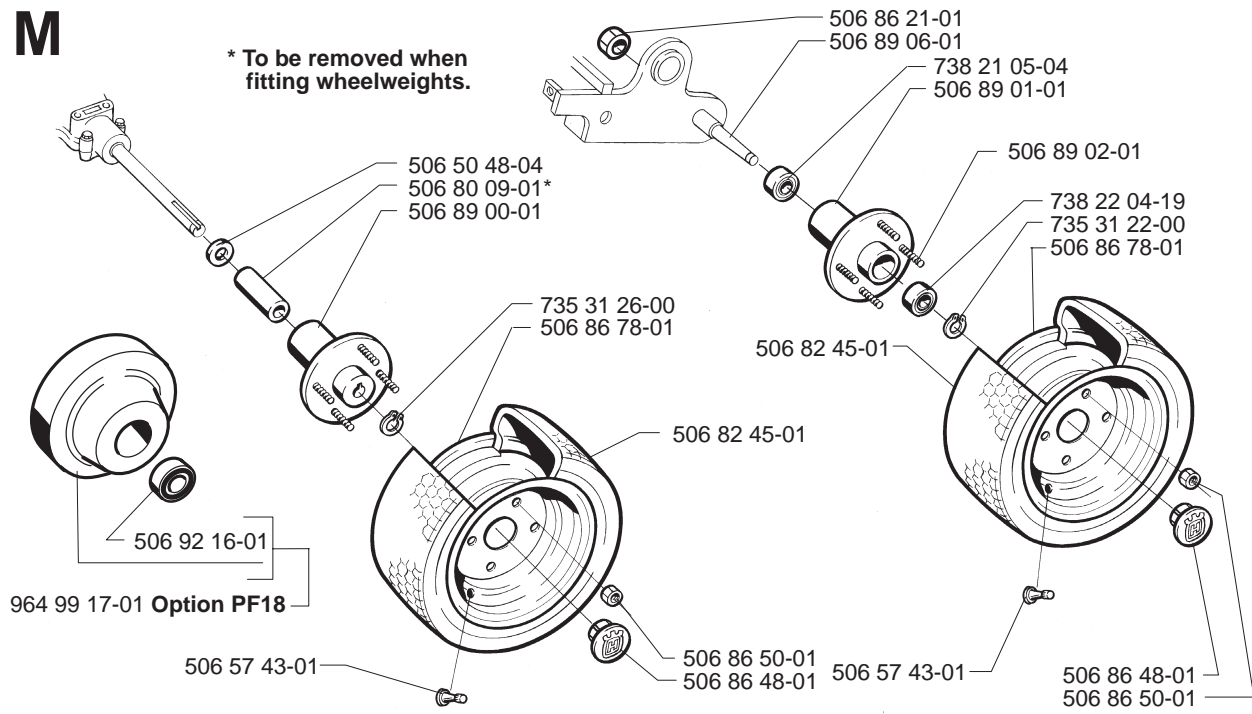
xxx xx xx-xx = New part,
Neues teil,
Nouvelle piece,
Nueva pieza,
Ny detalj

L

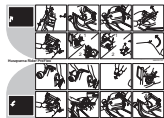


**xxx xx xx-xx = New part,
Neues teil,
Nouvelle piece,
Nueva pieza,
Ny detalj**

M



N



506 97 97-01



Decal kit
531 00 65-78



506 94 30-01



506 94 27-01

Warning
506 94 48-01

ProFlex

506 99 74-01

535 40 95-02 (PF18)

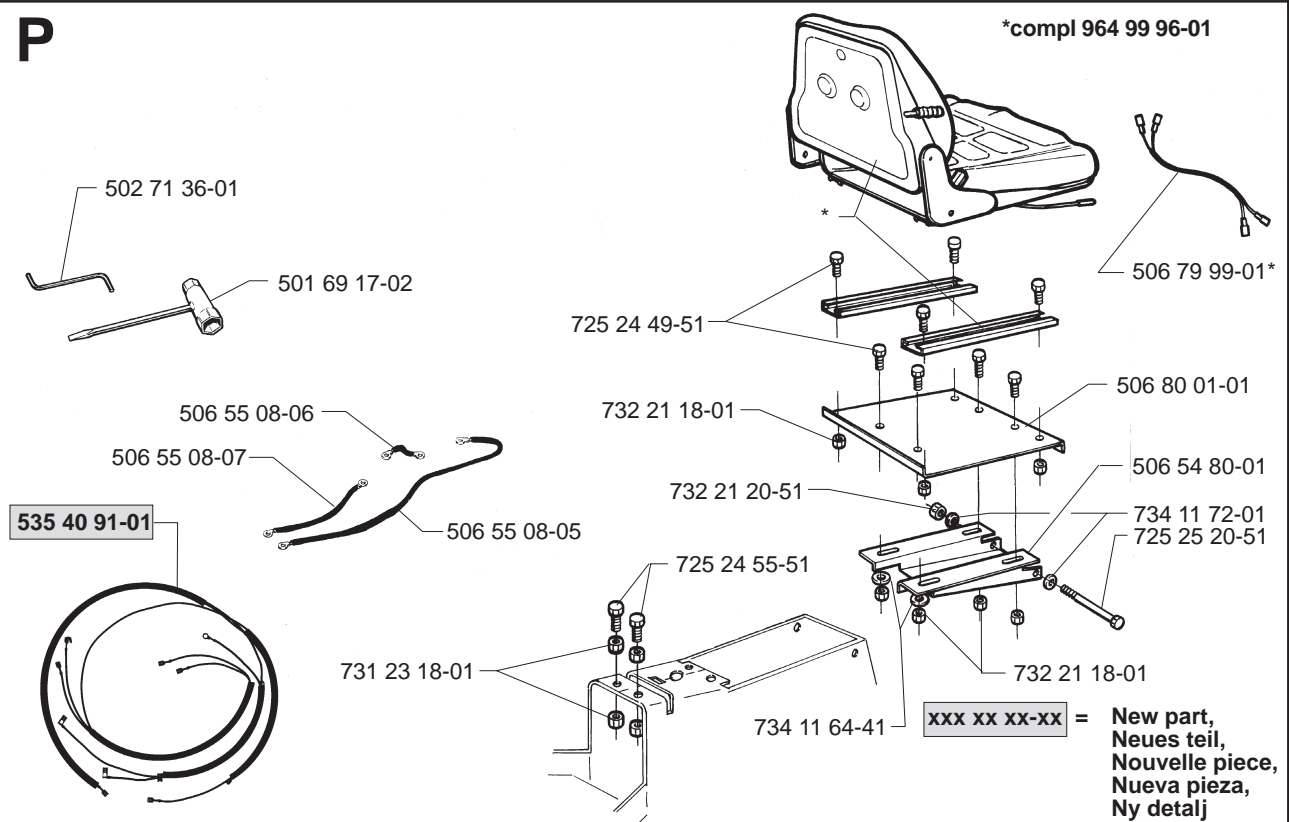
535 40 95-04 (PF21)

535 40 95-01 (PF18)

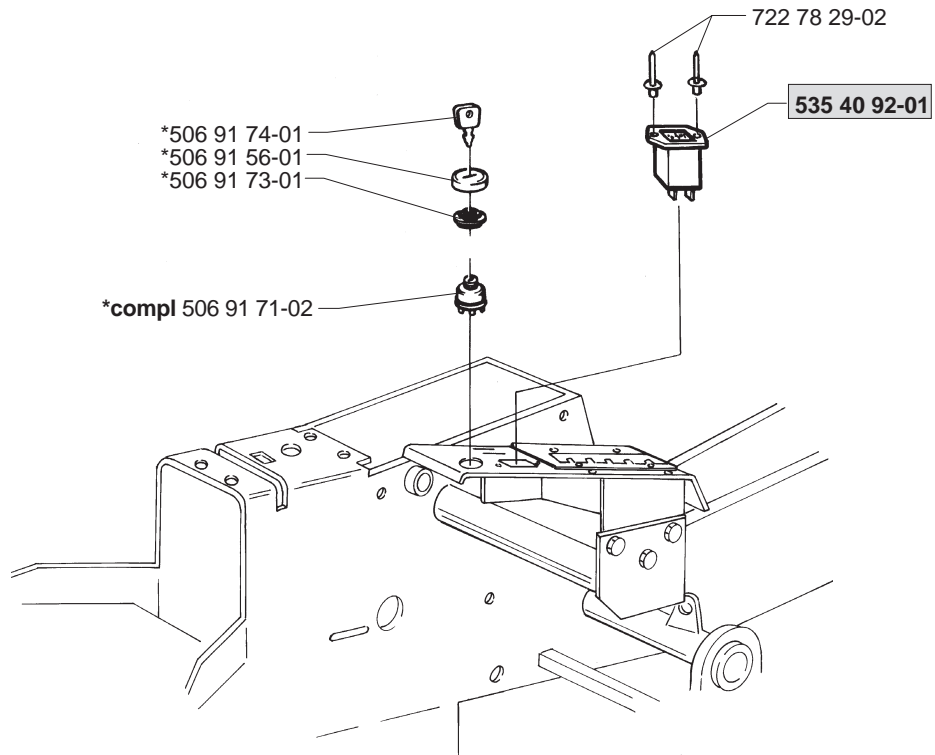
535 40 95-03 (PF21)



P

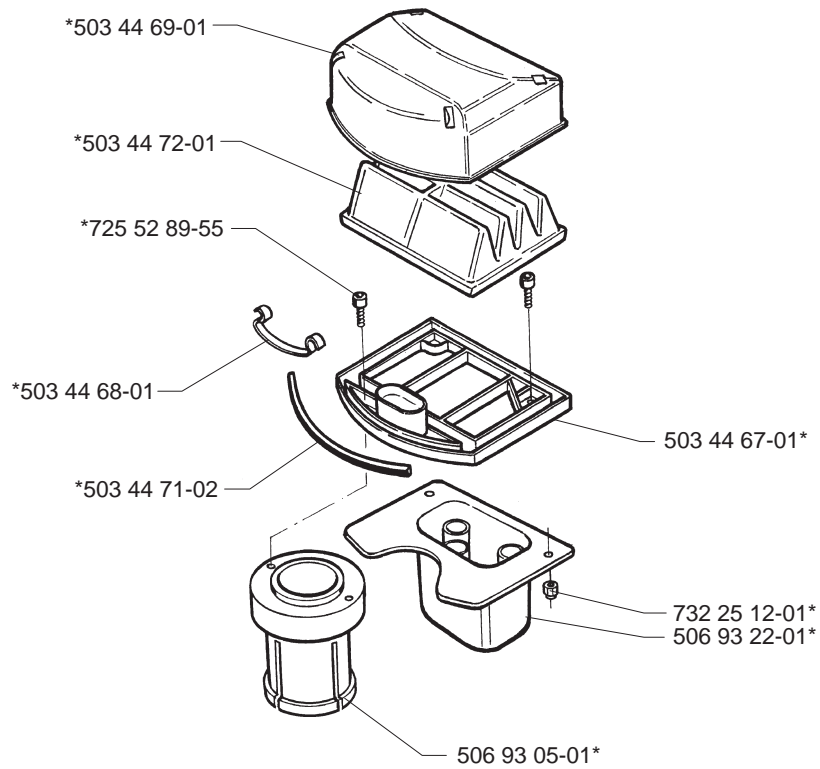


Q



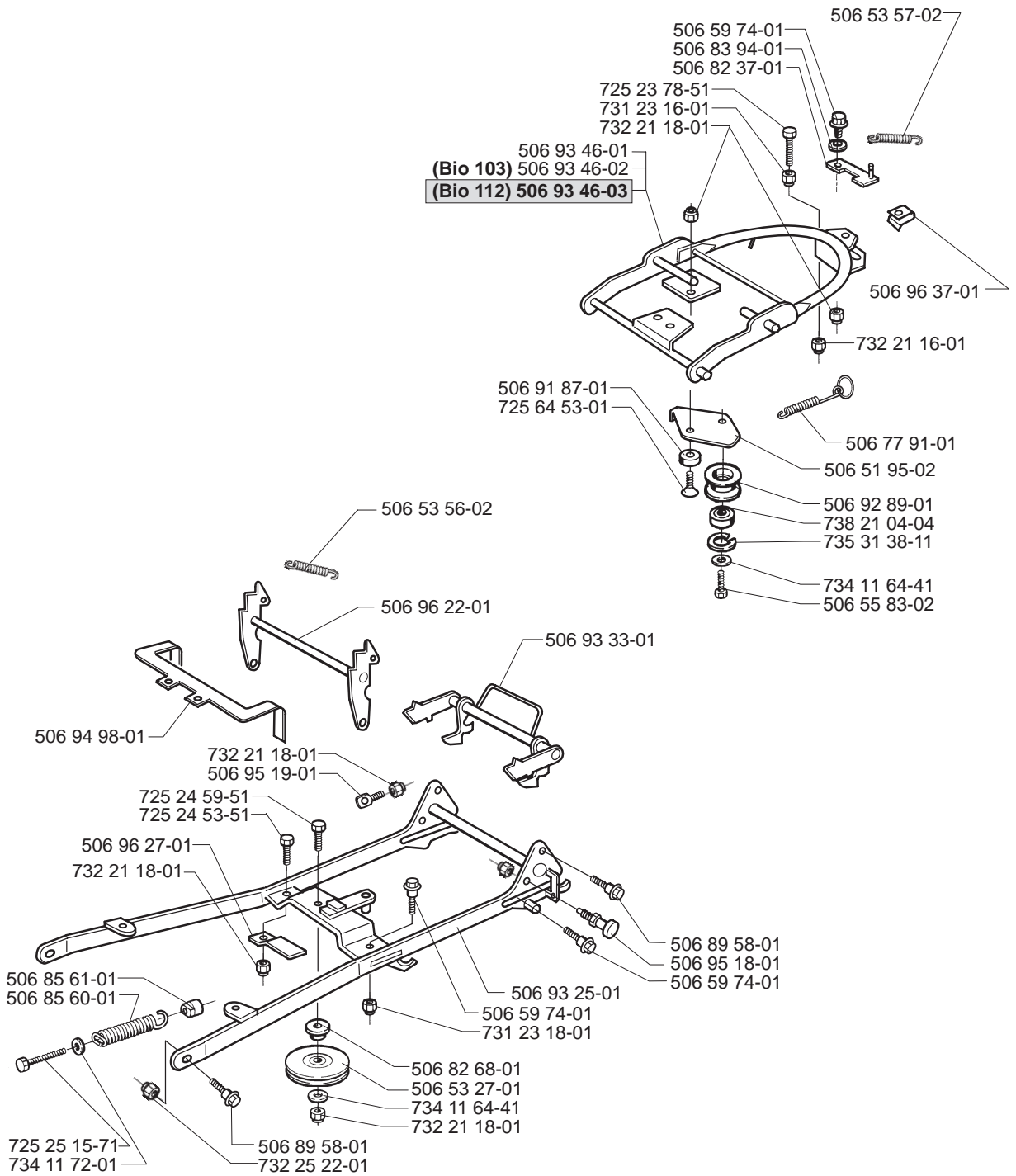
R

*compl 506 93 24-01



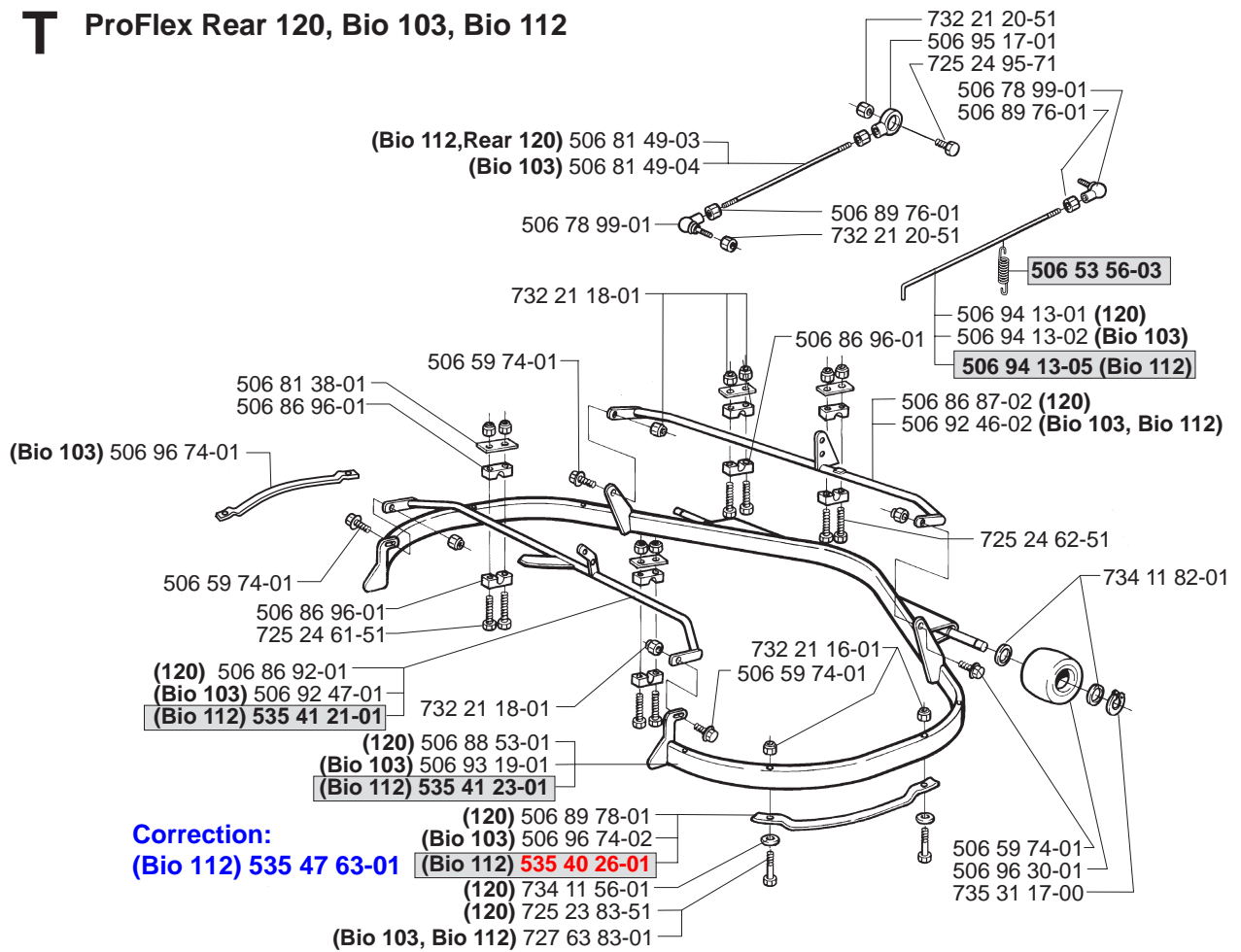
xxx xx xx-xx = New part,
Neues teil,
Nouvelle piece,
Nueva pieza,
Ny detalj

S



**xxx xx xx-xx = New part,
Neues teil,
Nouvelle piece,
Nueva pieza,
Ny detalj**

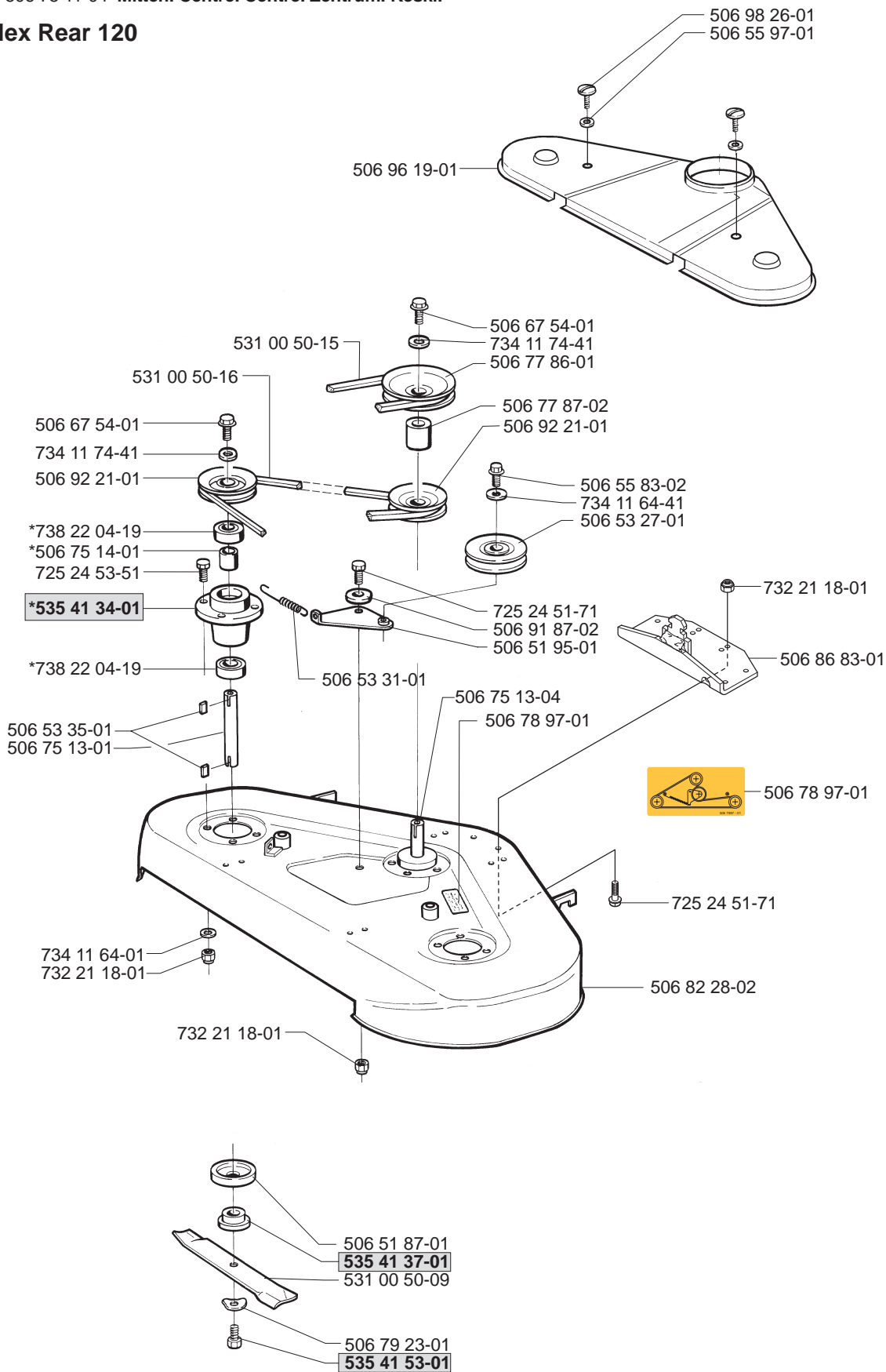
T ProFlex Rear 120, Bio 103, Bio 112



xxx xx xx-xx = New part,
 Neues teil,
 Nouvelle piece,
 Nueva pieza,
 Ny detalj

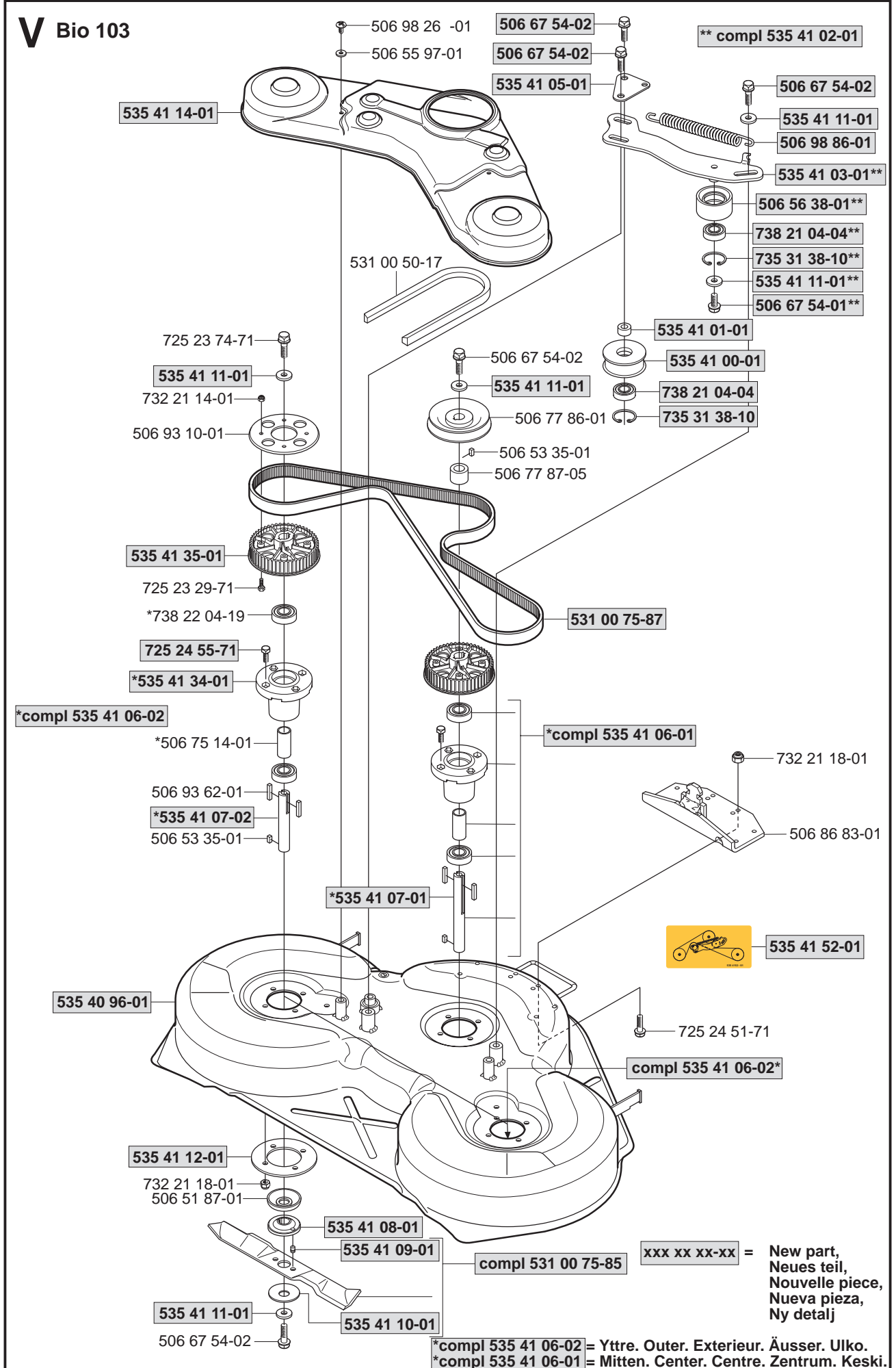
U *compl 506 75 11-01 Yttre. Outer. Exterieur. Äusser. Ulko.
 *compl 506 75 11-04 Mitten. Centre. Centre. Zentrum. Keski.

ProFlex Rear 120



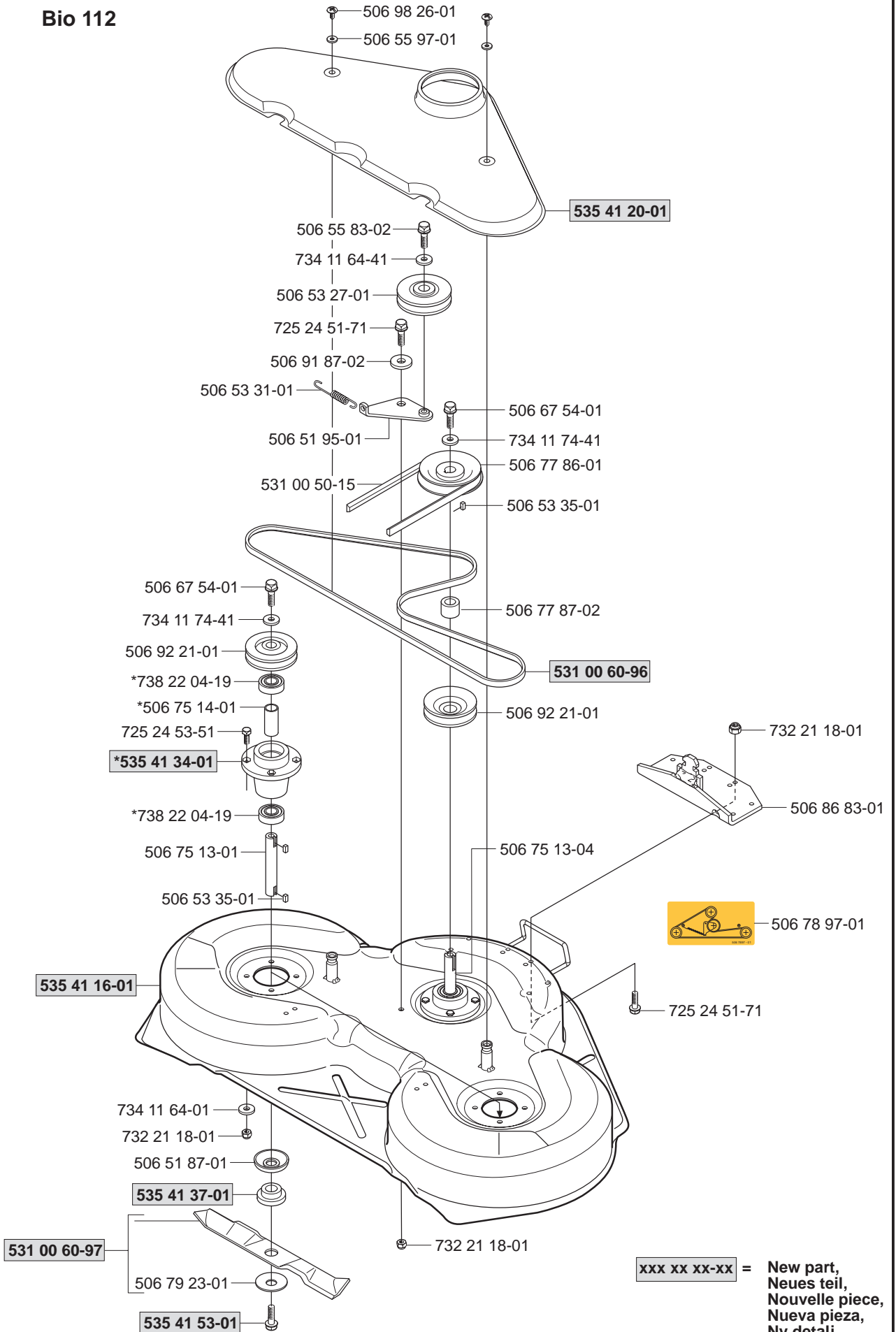
**xxx xx xx-xx = New part,
 Neues teil,
 Nouvelle piece,
 Nueva pieza,
 Ny detalj**

V Bio 103



X *compl 506 75 11-01 Yttre. Outer. Exterior. Äusser. Ulko.
 *compl 506 75 11-04 Mitten. Centre. Centre. Zentrum. Keski.

Bio 112



**xxx xx xx-xx = New part,
 Neues teil,
 Nouvelle piece,
 Nueva pieza,
 Ny detalj**